

PANORAMIC 3XL



- **Panoramic visibility** : 1 screen XL + 2 side screens for a 180° vision.
- **4 sensors for improved performance.**
- **TIG welding > 2A.**
- **Active filter** : shades 4-8 / 8-12
- **Range 4-8** : ideal for low amperage
- **Choice of 7 tinted shades (4>12)** suitable for all welding and cutting jobs.
- **Technology TRUE COLOR** (only on the main screen)

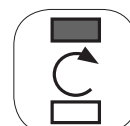


Ref. 037281

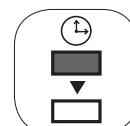
► TECHNICAL TABLE

Classification	1/1/1/1
Clear shade	4
Dark shade	4-12
Reaction time	0.00015 sec
Time to get the clear state back (no shade)	auto
Field of vision	131 x 84 + 2x (67 x 75) mm
Power supply	solar + battery (CR2450)
Weight	610
Settings	Sensitivity, delay, shade, grinding, settings
Light sensor	4
Applications	MMA 5▶400 / TIG 2▶300 / MIG-MAG 5▶400
Standards	EN 175 / EN 379

► ACCESSORIES



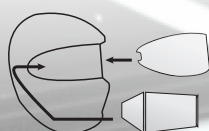
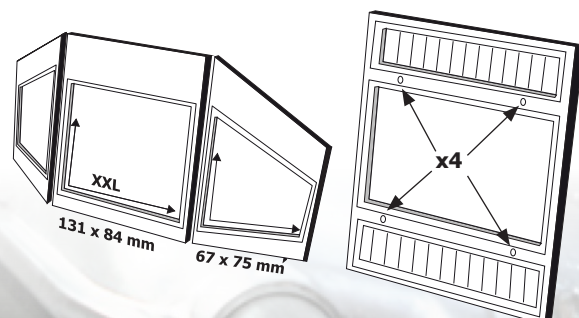
Sensitivity



Delay

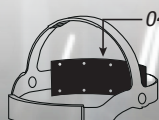


Shade



385 x 150 mm (x5)
037311

3 screens special kit (x5)
037304



043466